

WARING
COMMERCIAL
TORRINGTON, CT 06790
PANINI GRILL
MODEL: WDG300E
220-240V 50/60Hz 2900W
MADE IN CHINA
DATE CODE: ←

IPX1
CE

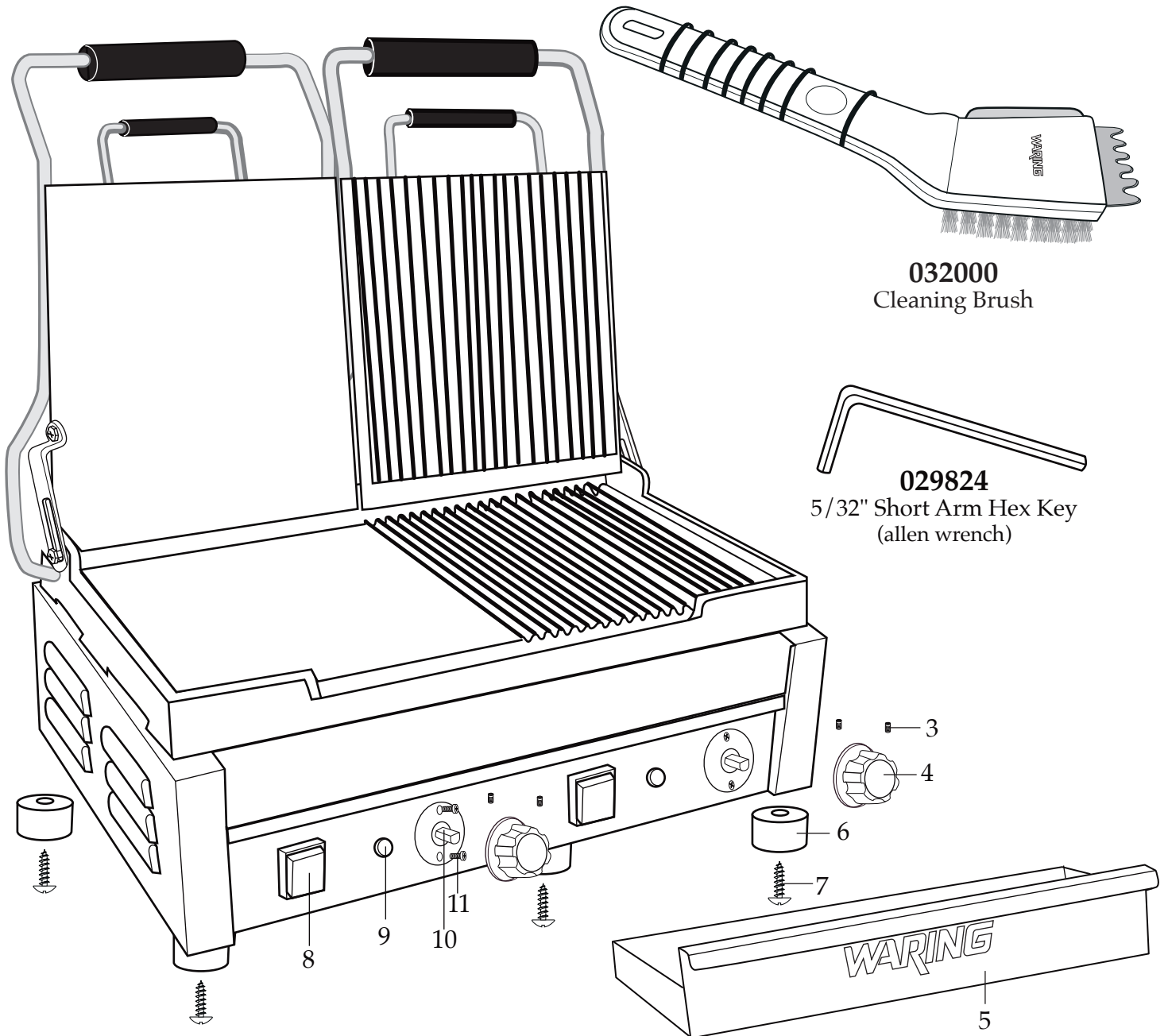


Date Code Location
YY|MM|DD
year|year|month|month|day|day

WARING
COMMERCIAL

Europe Panini Ottimo Half Grill/Griddle

WDG300E



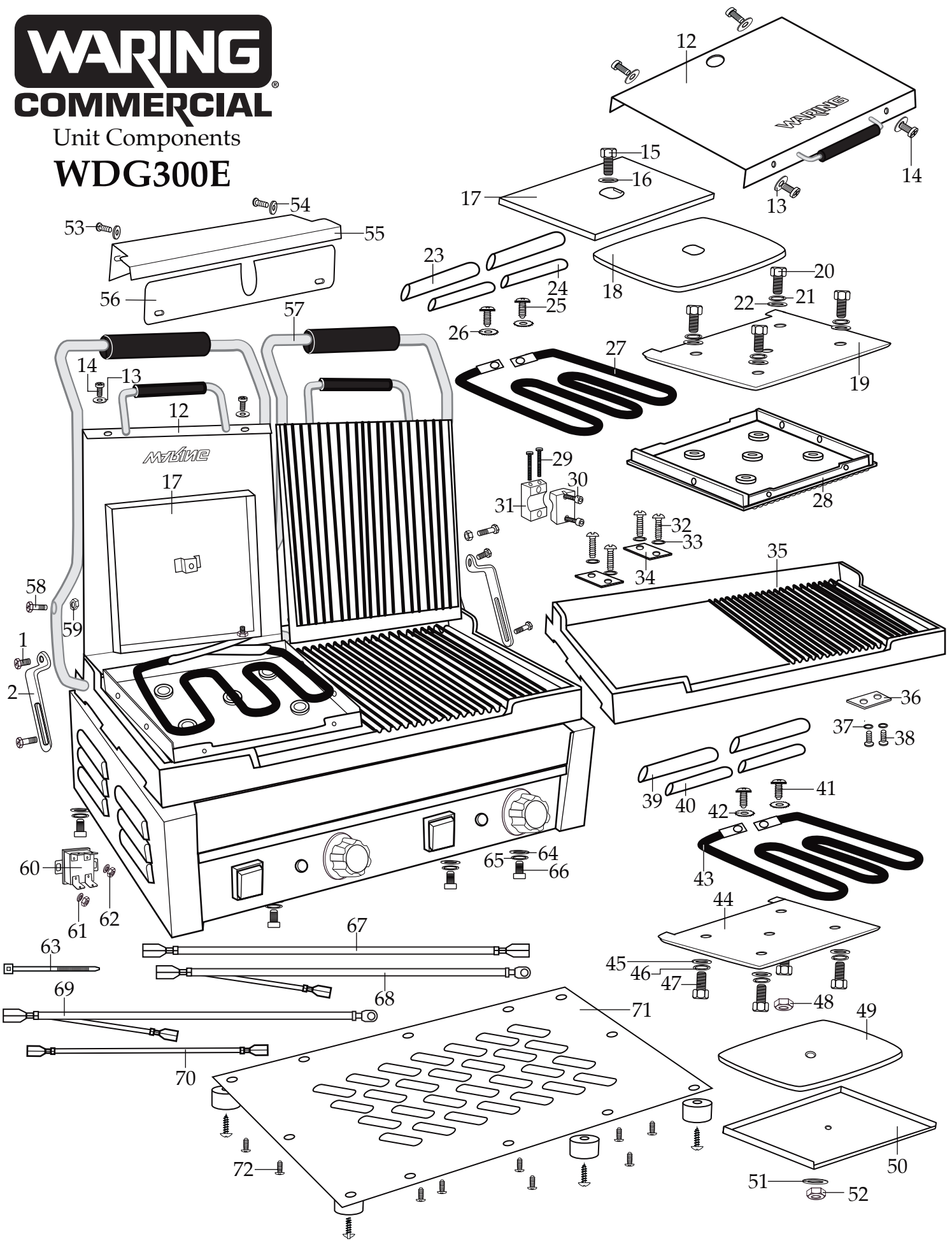
032000
Cleaning Brush

029824
5/32" Short Arm Hex Key
(allen wrench)

WARING COMMERCIAL®

Unit Components

WDG300E



Catalog/Model

WDG300E



Illustration#	Part#	Description
1	028625	Pivot Bracket Screw Set (each bracket)
2	028624	Pivot Bracket (2 required)
3	028627	Set Screw (4 required)
4	028626	Control Knob (2 required)
5	029504	Drip Tray
6	028622	Foot (4 required)
7	028623	Foot Screw (4 required)
8	029478	On-Off Switch (2 required)
9	030018	Indicator Light (2 required)
10	030013	Thermostat (2 required)
11	029943	Thermostat Screw (4 required)
12	030080	Cover (2 required)
13	029946	Washer (8 required)
14	029947	Screw (8 required)
15	029950	Hex Head Bolt (2 required)
16	029951	Washer (2 required)
17	030057	Top Insulation Plate (2 required)
18	030058	Top Insulation (2 required)
19	030059	Top Element Plate (2 required)
20	029962	Hex Head Bolt (8 required)
21	029963	Spring Washer (8 required)
22	029964	Washer (8 required)
23	029956	Fiber Sleeve (4 required)
24	029957	Plastic Sleeve (4 required)
25	029958	Screw (4 required)
26	029959	Washer (4 required)
27	030060	Top Element (2 required)
28	030061 030062	Top Flat Grill Plate Top Ribbed Grill Plate
29	036549 030054	Screw (2 required on units after 11/10/2017) Screw (2 required)
30	036550 030055	Tension Bolts (2 required on units after 11/10/2017) Tension Screw (2 required)



Illustration#	Part#	Description
31	036548 030056	2 Piece Tension Bracket (2 required <i>on units after 11/10/2017</i>) Tension Bracket (2 required)
32	029992	Screw (8 required)
33	029993	Spring Washer (8 required)
34	030063	Large Handle Bracket (4 required)
35	036573 030066	Bottom Half Flat & Half Ribbed Grill Plate (<i>on units after 11/10/2017</i>) Bottom Half Flat & Half Ribbed Grill Plate
36	029973	Thermostat Bracket (2 required)
37	029974	Washer (4 required)
38	029975	Screw (4 required)
39	029956	Fiber Sleeve (4 required)
40	029957	Plastic Sleeve (4 required)
41	029958	Screw (4 required)
42	029959	Washer (4 required)
43	030067	Bottom Element (2 required)
44	030068	Bottom Element Plate (2 required)
45	029964	Washer (8 required)
46	029963	Spring Washer (8 required)
47	029962	Hex Head Bolt (8 required)
48	029980	Nut (2 required)
49	030069	Bottom Insulation (2 required)
50	030070	Bottom Insulation Plate (2 required)
51	029951	Washer (2 required)
52	029980	Nut (2 required)
53	029985	Screw (4 required)
54	029986	Washer (4 required)
55	036569 030071	Rear Cover with Tension Cover (2 required <i>on units after 11/10/2017</i>) Rear Cover with Tension Cover (2 required)
56	036570 030072	Rear Cover with Tension Hole (2 required <i>on units after 11/10/2017</i>) Rear Cover Plate with Tension Hole (2 required)
57	030073	Large Handle (2 required)
58	029990	Hex Head Screw (4 required)
59	029991	Nut (4 required)

Illustration#	Part#	Description
60	030157	Thermal Cut-off (2 required)
61	029997	Washer (4 required)
62	029998	Nut (4 required)
63	013731	Wire Tie (11 required)
64	029999	Washer (4 required)
65	030000	Spring Washer (4 required)
66	030001	Bolt (4 required)
67	030003	17" Red Lead
68	030158	17" Red Lead & White Lead Joined
69	030159	17" Black Lead & White Lead Joined
70	030160	9" Red Lead
71	030079	Bottom Housing Plate
72	030006	Screw (8 required)

(on units after 11/10/2017)

